

HALO U Conversion to LED – Order Form

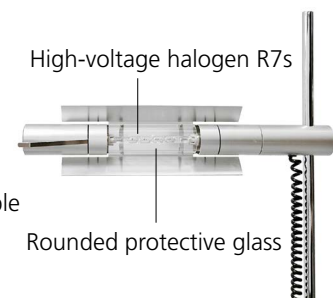
In addition to our repair service, we offer a conversion to LED for the HALO 250 floor and table lamp in alu or black finish.

For chrome and gold finishes, as well as for wall and ceiling luminaires, please contact our customer support, who will be happy to advise you on the available options.
(Tel. +41 41 429 00 30 or info@baltensweiler.ch)

The following are the main differences between the halogen and conversion versions:

Existing Luminaire Head – HALO 250 floor and table lamp

Light source:	High-voltage halogen R7s
Colour temperature (Kelvin):	2900 K at full brightness *
Colour rendering CRI / RA:	100
Rated power / Voltage:	Floor lamp max. 300W / 220–240 Vac / 50–60 Hz Table lamp max. 200W / 220–240 Vac / 50–60 Hz Switchable and continuously dimmable via slider on cable
Secondary cable:	Coiled cable
Protective glass:	Rounded protective glass
Safety note:	Protective glass and shade must be fitted

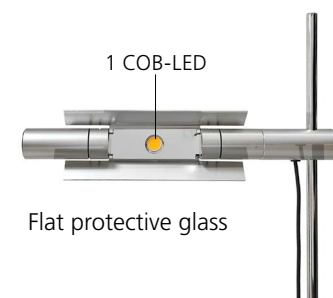


* When dimming the halogen lamp R7s, the colour temperature shifts from pure white light (approx. 2900 K) at full brightness down to warm amber mood light (approx. 1800 K) at minimum brightness.



CONVERSION to HALO U Luminaire Head – floor and table lamp

Light source:	1 COB-LED
Colour temperature (Kelvin):	2700 K **
Colour rendering CRI / RA:	80
Rated power / Voltage:	max. 30 W / 220-240 Vac / 50-60 Hz
Luminous flux:	3000 lm
Floor lamp control:	Switchable and continuously dimmable via switch on top of housing on luminaire cable
Table lamp control:	Switchable and continuously dimmable via switch on luminaire head
Secondary cable:	Smooth cable
Protective glass:	Flat protective glass

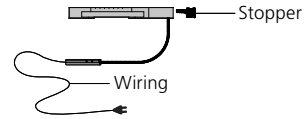


** The LED used has a colour temperature of 2700 K. The colour temperature (K) remains constant when dimming; i.e. compared to the halogen lamp, the light appears warmer at full power and cooler when dimmed. We are happy to demonstrate both versions with the corresponding details and lighting effects at our factory in Lucerne.

Dismantling the existing Luminaire Head:

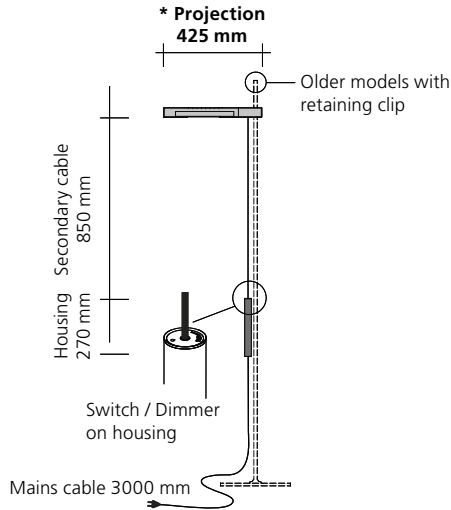
The luminaire head must only be dismantled when de-energised – unplug the mains plug first!

The luminaire head can be removed without tools – on older models, a retaining clip at the end of the pole must be removed beforehand (see diagram below).

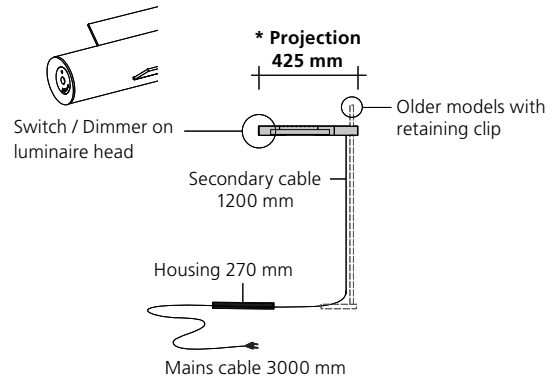


Material required for conversion:
Complete luminaire head
(incl. wiring and stopper)

HALO U Conversion – floor lamp



HALO U Conversion – table lamp



* **Projection:** HALO 250 S L / T L / T L compatible with USM with 620 mm projection are converted to the 425 mm projection version.

Conversion for alu luminaire head ○ EURO 610.00 * * Price excl. stopper – charged separately if not included in customer material.
 Conversion for black luminaire head ● EURO 675.00 *
 Prices exclude VAT/ shipping costs (subject to change) Sale prices include all necessary spare parts and installation work.

Please complete this form and enclose it with your shipment (incl. wiring and stopper)

Last name:		
First name:		
Street:		
Postcode / City:		
Country:		
Phone no.:		
E-mail:		
Commission:		
Luminaire type:	Floor lamp	Table lamp
Finish:	alu	black

Baltensweiler reserves the right, in the course of the conversion work, to replace customer-supplied material with new material of equivalent quality if this is required for technical reasons. The replaced material and components that cannot be reused in the conversion will be disposed of properly. By signing this form you agree to this.

Place, date: _____

Signature: _____

Postal address (Germany):

Lena Lohmüller
C/O BALTENSWEILER AG
Jahnstrasse 17
DE-79539 Lörrach

Postal address EU (excluding Germany):

BALTENSWEILER AG
Staldenhof 2
CH-6014 Luzern